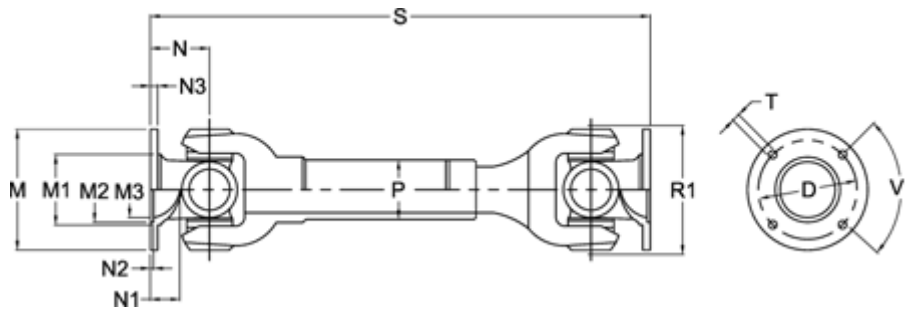


Data Sheet



Article number: 071121410400060
 Description: Cardan drive shaft 0.112.141.001
 S=400 X=60 Bore with keyway

Measures



D	= 130 +/-0,1	N1	= 33	T	= 10 B12
Extension X	= 60	N2	= 3 +0,5	V1 degrees	= 45
Flange diameter M	= 150	N3	= 9		
M1	= 101	Number og Flangeholes	= 8		
M2	= 90	P	= 60x4		
M3	= 78	R1	= 115		
Max. Bending Angle degrees	= 18	S min	= 400		
N	= 60	Spline dim. DIN 5480	= 42x2x20		